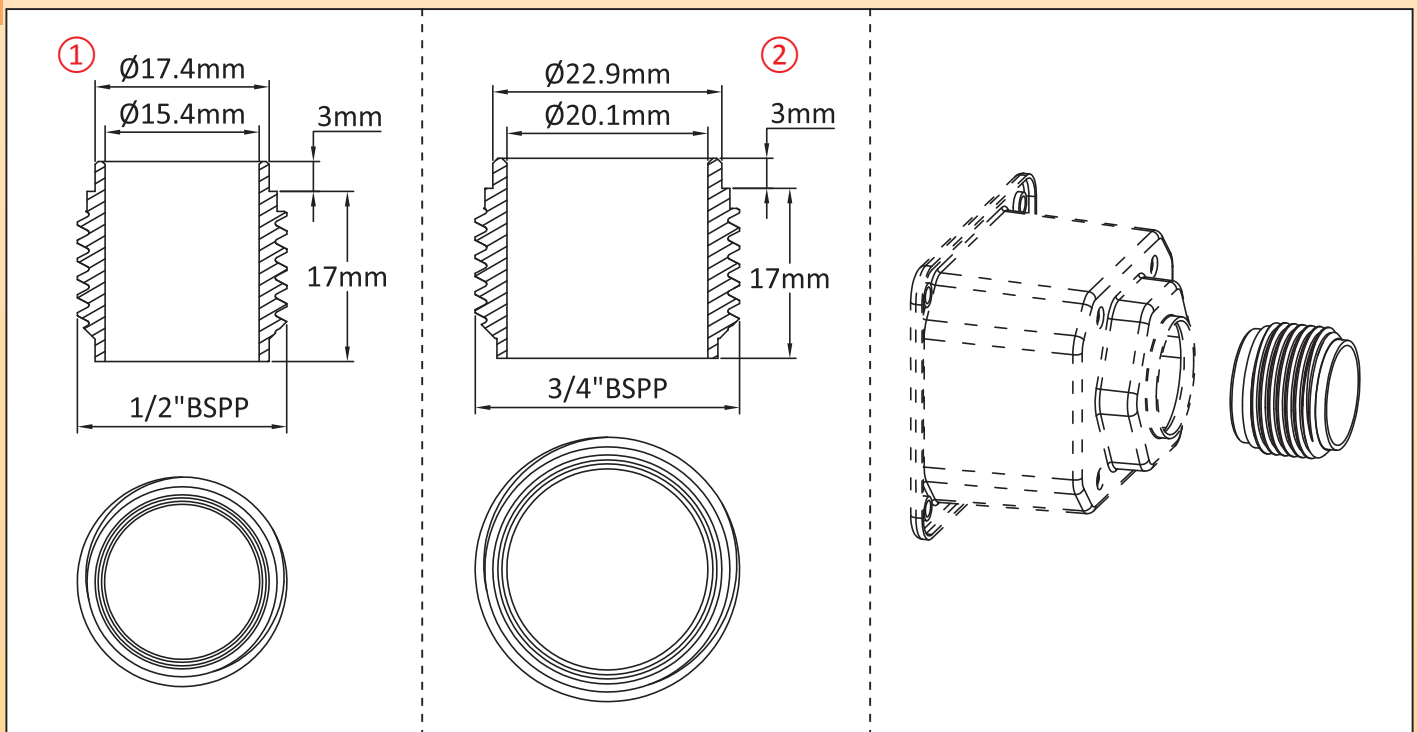


Stainless steel, machined threads for temperature sensors and level sensors

Minimum Size	Maximum Size	Material	Type	Model
1/2"	3/4"	AISI 304 AISI 316	Plain fitting for enclosure	66YQ




Compatible with: <div style="text-align: center; border: 1px solid black; border-radius: 50%; width: 20px; margin: 5px auto;">①</div> <input checked="" type="checkbox"/> Y3L2	<div style="font-size: 24pt; color: red; margin-bottom: 10px;">①</div> 	<div style="font-size: 24pt; color: red; margin-bottom: 10px;">②</div> 
<div style="text-align: center; border: 1px solid black; border-radius: 50%; width: 20px; margin: 5px auto;">②</div> <input checked="" type="checkbox"/> Y3L2 <input checked="" type="checkbox"/> Designed for direct welding on deep drawn stainless steel enclosures with soldering lip.		



Main references

Dimensions	References in 304	References in 316
1/2"	66YQC012I1710000	66YQC012T1710000
3/4"	66YQC034I1710000	66YQC034T1710000

Links

	Page (.pdf)
	Drawing 2D (.dwg)
	Drawing 3D (.stp)

Red dimensions inside rectangular frames on drawings are used for assembly on enclosures or on fittings.

